

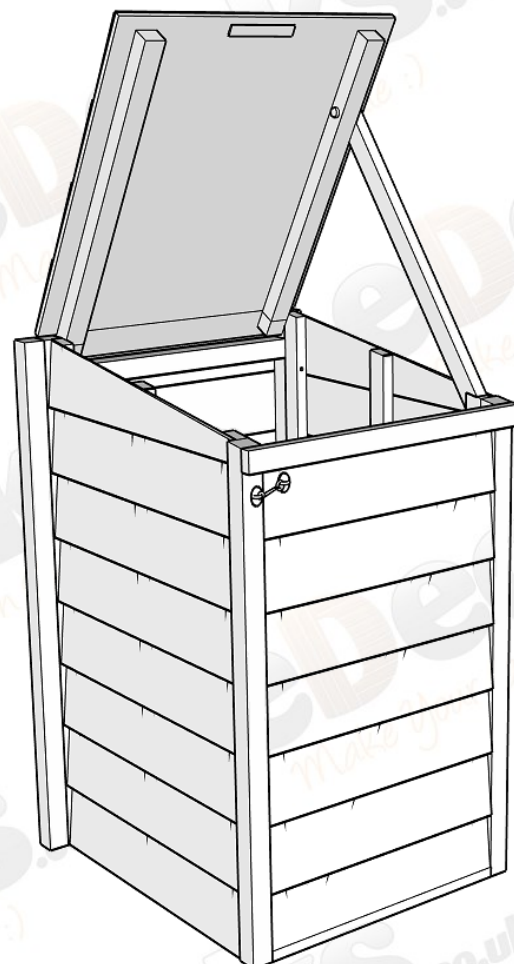
Single Bin Store

Fitting Guide



Component List

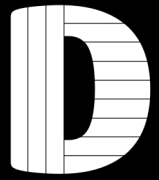
| | |
|--|---------|
| 1 x Right Side Panel | (A) |
| 1 x Left Side Panel | (B) |
| 1 x Back Panel | (C) |
| 1 x Door Panel | (D) |
| 1 x Lid Panel | (E) |
| 1 x Horizontal Floor Support (2" x 1") 700mm | (F) |
| 1 x Horizontal Top Support (2" x 1") 800mm | (G) |
| 1 x Lid Prop - V Cut (2" x 1") 700mm | (H) |
| 1 x Lid Handle | (I) |
| 1 x Handle Back Plate | (J) |
| 2 x 75mm Door Hinges | (K) |
| 1 x Door Cabin Hook | (L) |
| 14 x 75mm Green Screws | (FIX1) |
| 1 x Carriage Bolts (M8 x 100mm) | (FIX 2) |
| 2 x Carriage Bolts (M8 x 130mm) | (FIX 3) |



We recommend two people to assemble this product.

Single Bin Store

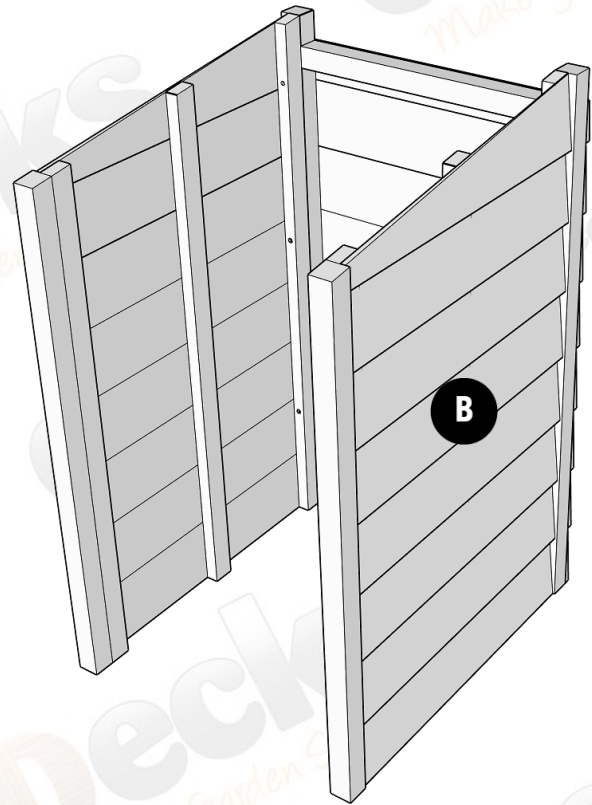
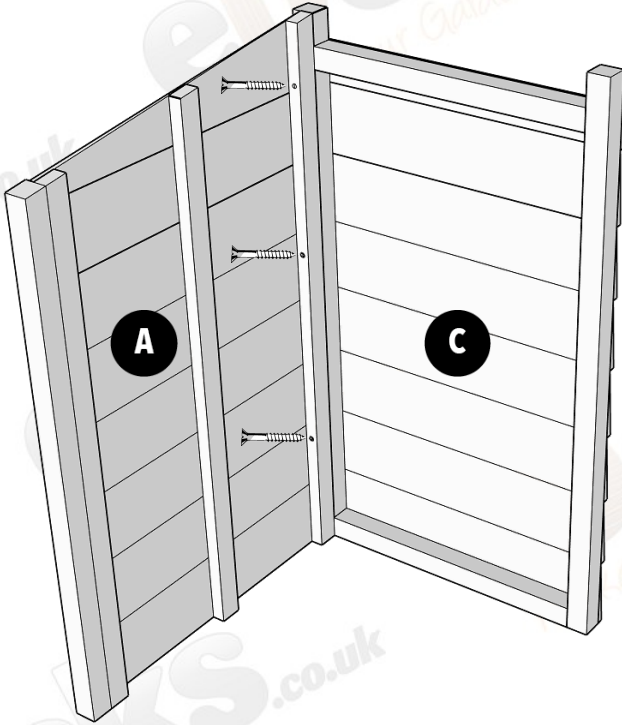
Fitting Guide



Step 1

Secure the two Side Panels (A) and (B) to the Back Panel (C) using 3 x 75mm Green Screws (FIX 1) per join as indicate below.

Ensure all panels along the bottom are flush to each other.



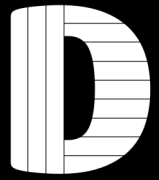
Don't forget to check your work with a level as you go!

All images are for illustration only. Please see individual item listings for actual item specifications.

Page 2 of 7

Single Bin Store

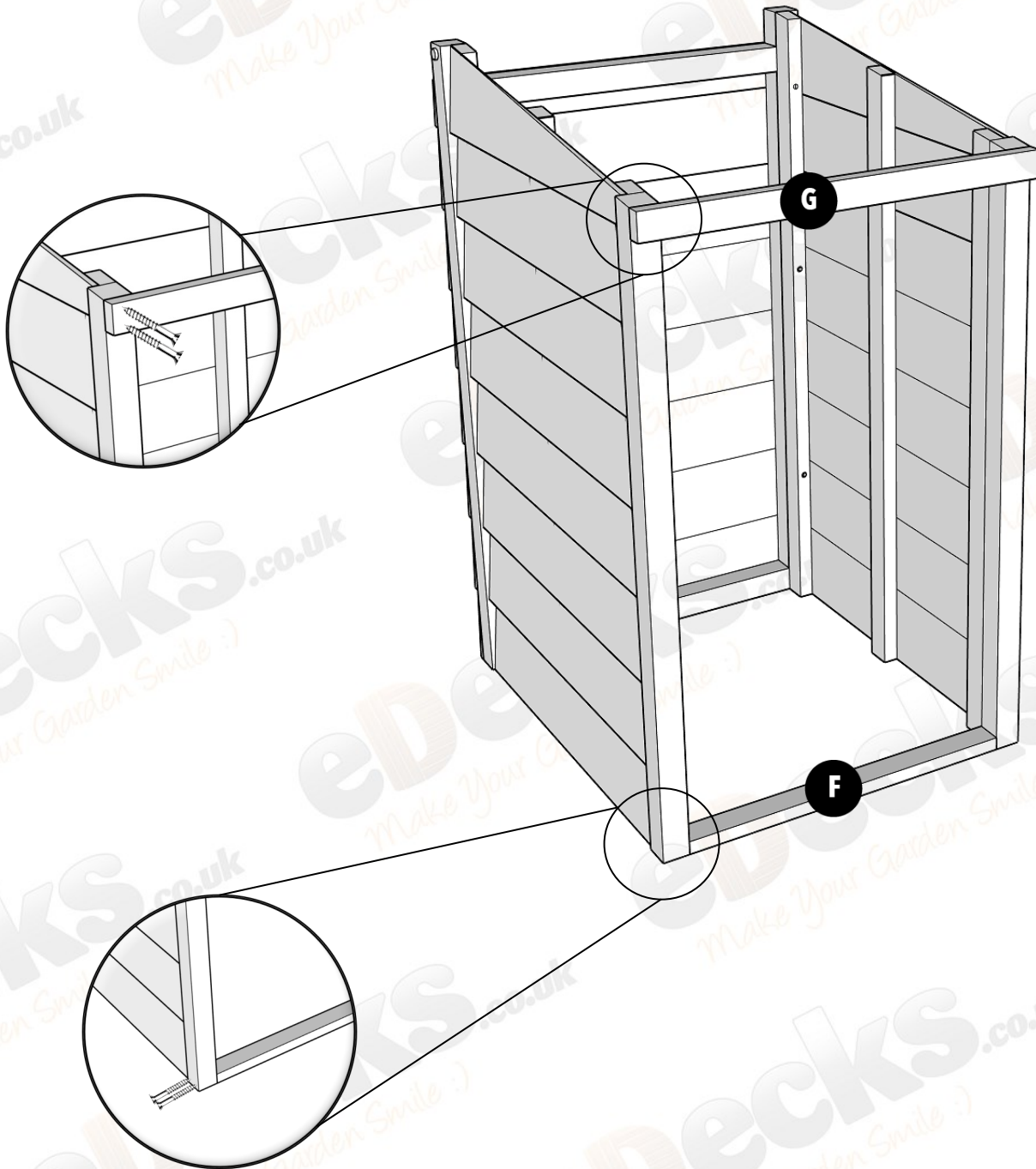
Fitting Guide



Step 2

Secure the Horizontal Floor Support (**F**) between the two side panels and secure in place using 2 x 75mm Green Screws (**FIX 1**) per side.

The Horizontal Top Support (**G**) can then be screwed to the front face of the two side panels using 2 x 75mm Green Screws (**FIX 1**) per side.

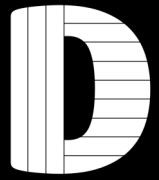


All images are for illustration only. Please see individual item listings for actual item specifications.

Page 3 of 7

Single Bin Store

Fitting Guide

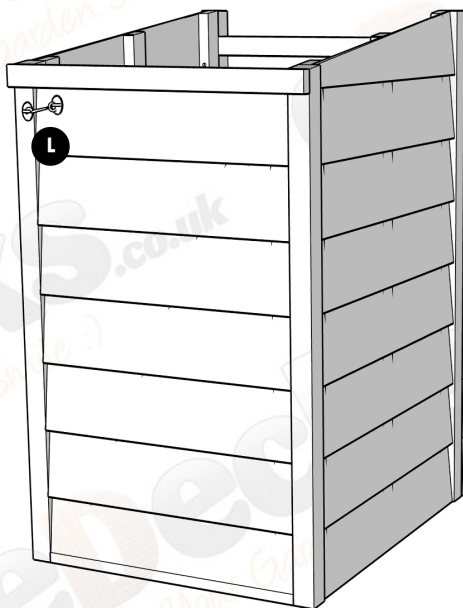
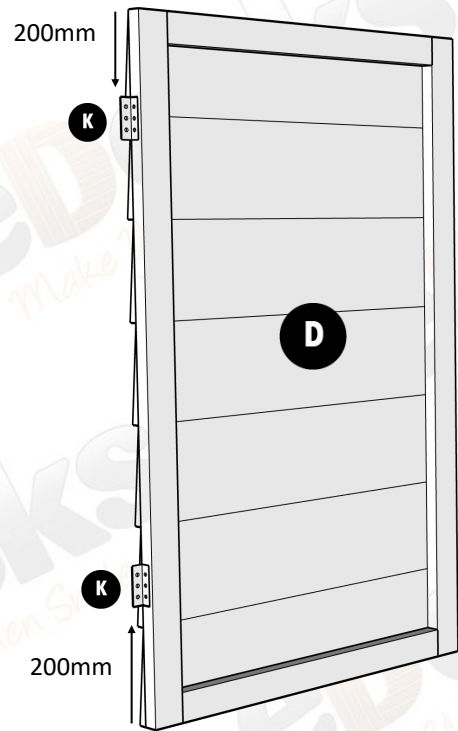
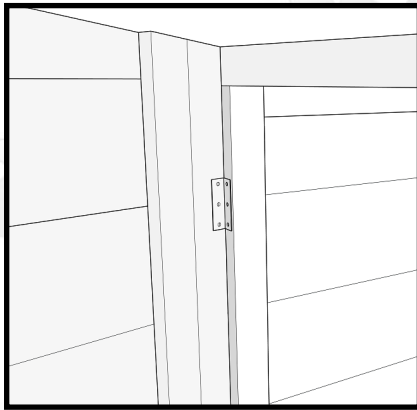


Step 3

Fix the 2 x Door Hinges (K) 200mm from the top and bottom the Bin Store Door (D).

Then, position the door between the side panels and secure the hinges to inner side of the side panels.

Fixings for this are included in the door hinge packaging.

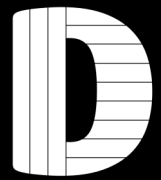


Fix the Door Cabin Hook (L) as shown opposite.

Fixings for this are included with the Door Cabin Hook Packaging.

Single Bin Store

Fitting Guide

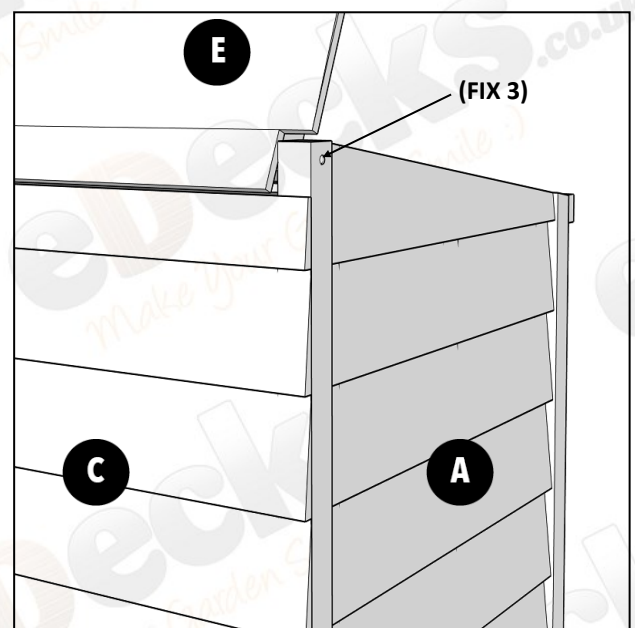
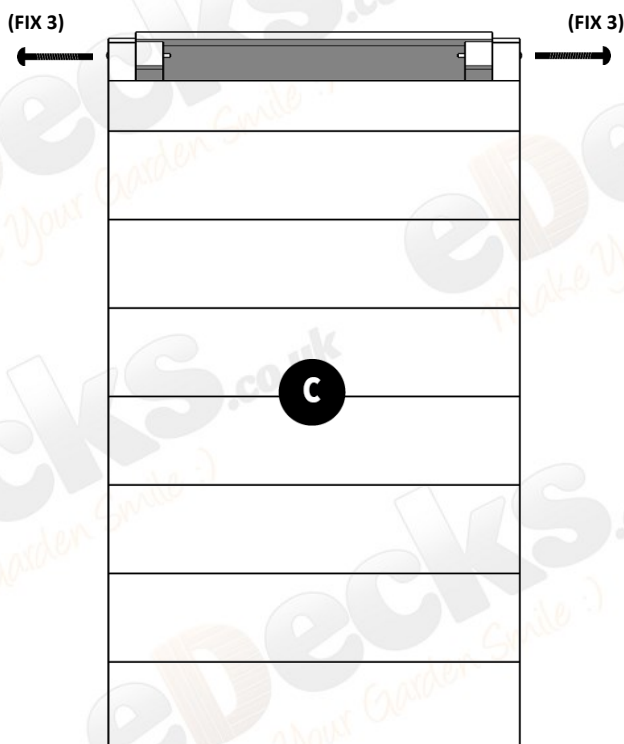
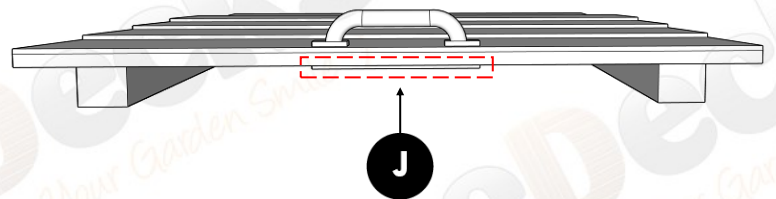
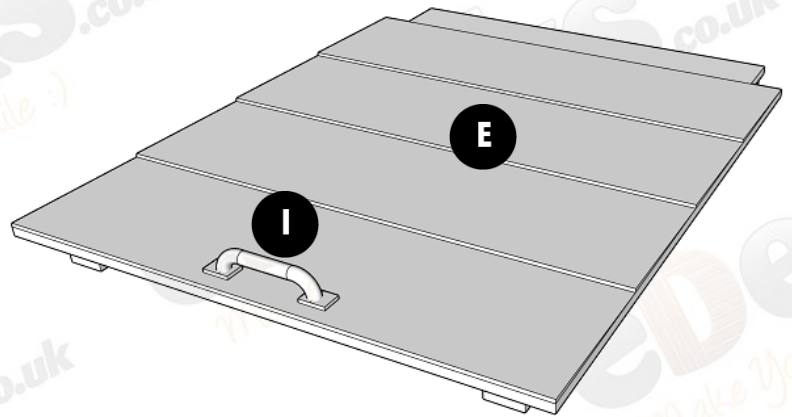


Step 4

Take the Bin Store Lid (E) and attach the Lid Handle (I) the handle must be attached at the top end as shown below.

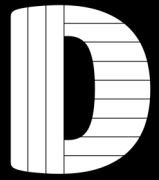
The handle back plate (J) should be lined up on the underside of the lid for the supplied screws to drive into to hold it tight in place and stop the screw points from showing.

Position the Bin Store Lid (E) between the side panels, align the pre-drilled boltholes, and insert a 130mm bolt (FIX 3) at each side using the provided nut and washer to secure each bolt in place.



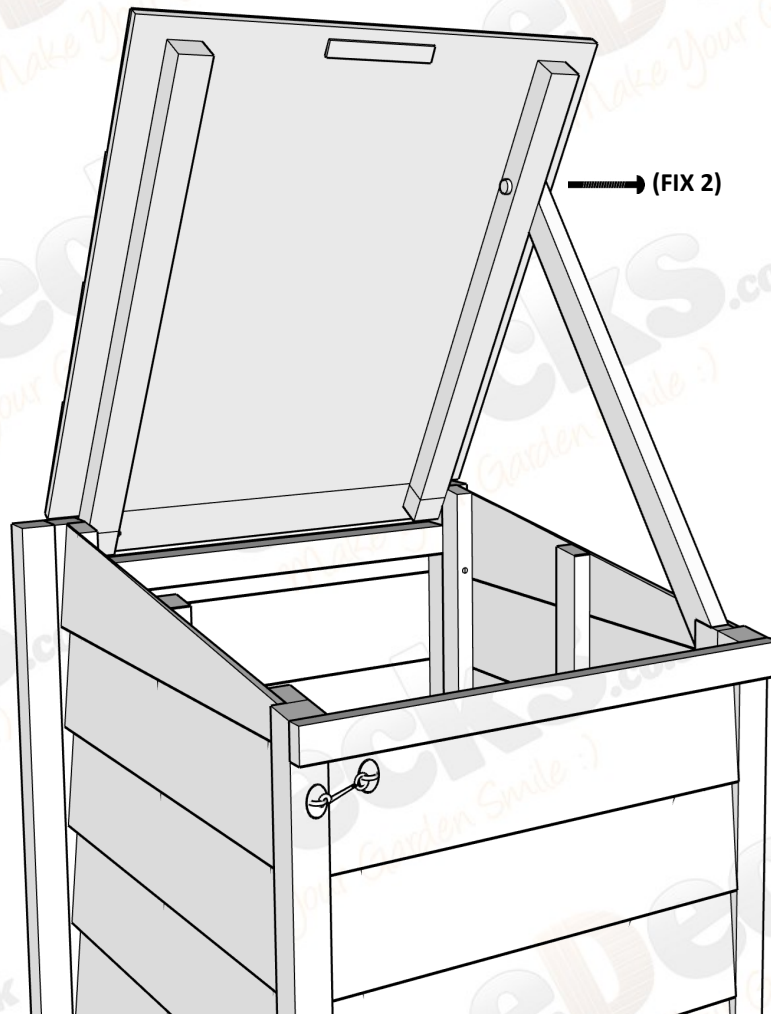
Single Bin Store

Fitting Guide



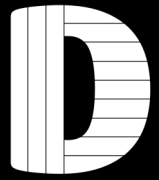
Step 5

Insert 1 x bolt (**FIX 2**) into the pre-drilled bolthole on bin lid frame and through the V Cut Lid Prop (**H**) using the nut and washer to secure in place.



Single Bin Store

Fitting Guide



Enjoy your new Single Bin Store!

All images are for illustration only. Please see individual item listings for actual item specifications.

Page 7 of 7